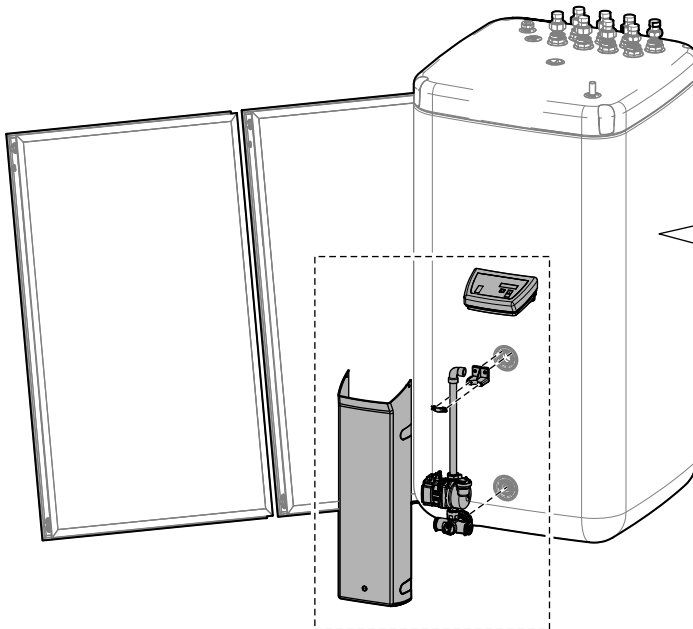
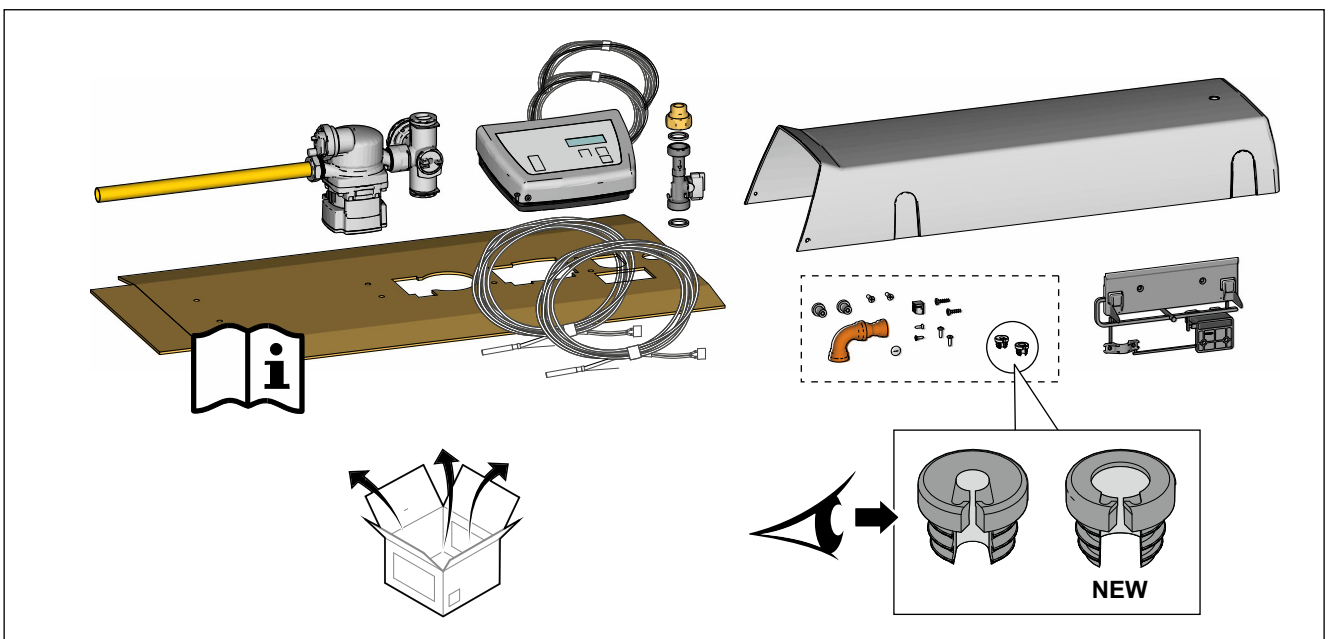


EKSRPS4A

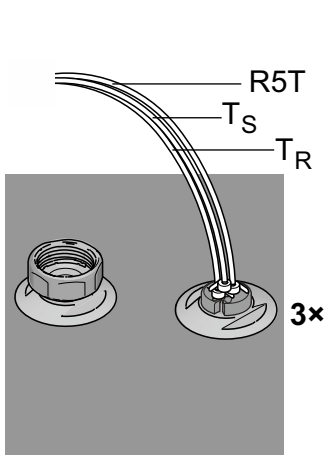
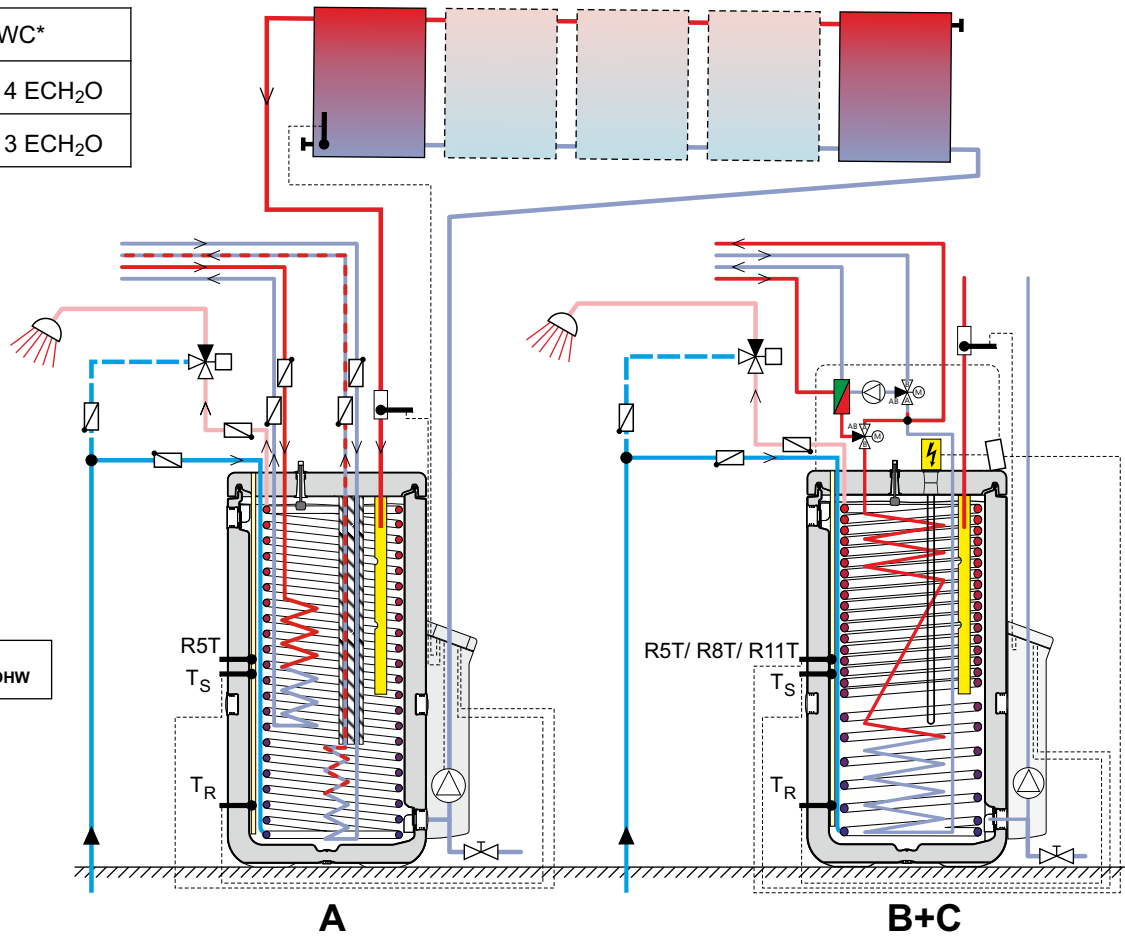


A	EKHWP* , EKHWC*
B	Daikin Altherma 4 ECH ₂ O
C	Daikin Altherma 3 ECH ₂ O

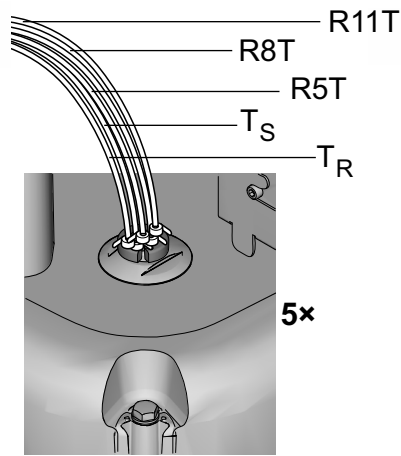


A	EKHWP* , EKHWC*
B	Daikin Altherma 4 ECH ₂ O
C	Daikin Altherma 3 ECH ₂ O

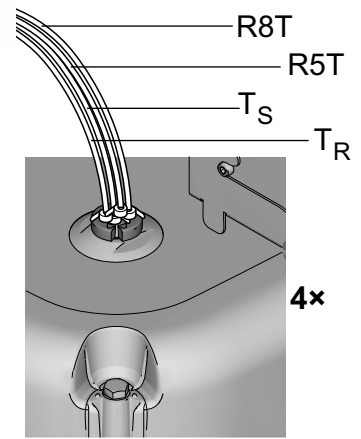
R5T / R8T / R11T = T_{DHW}



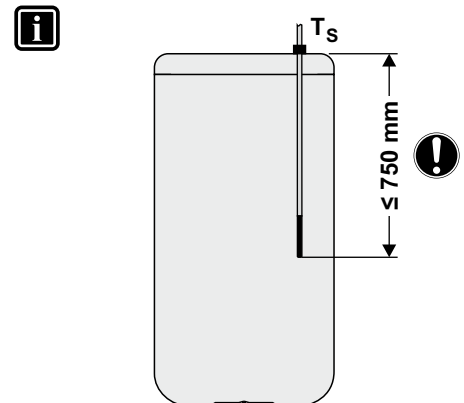
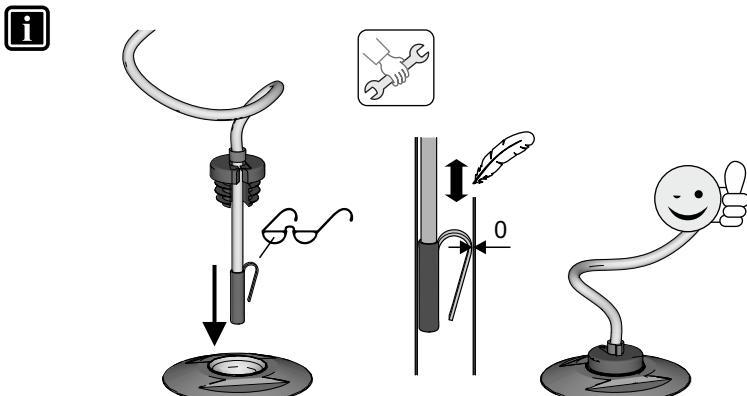
A



B

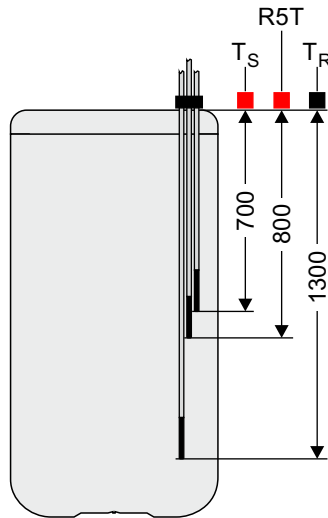
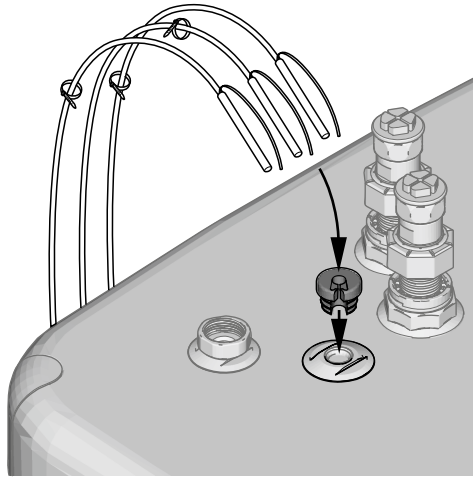
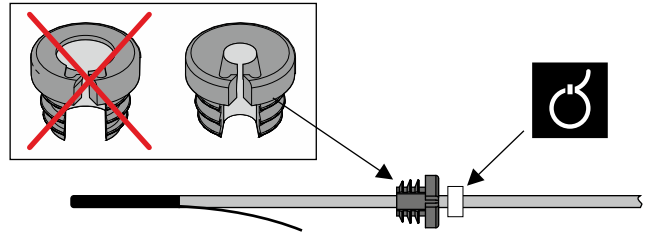
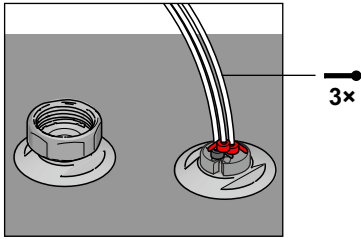


C



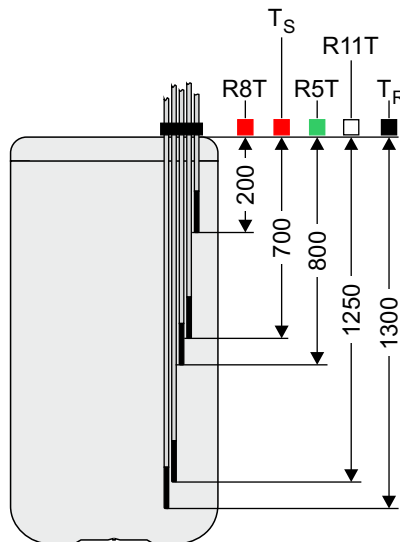
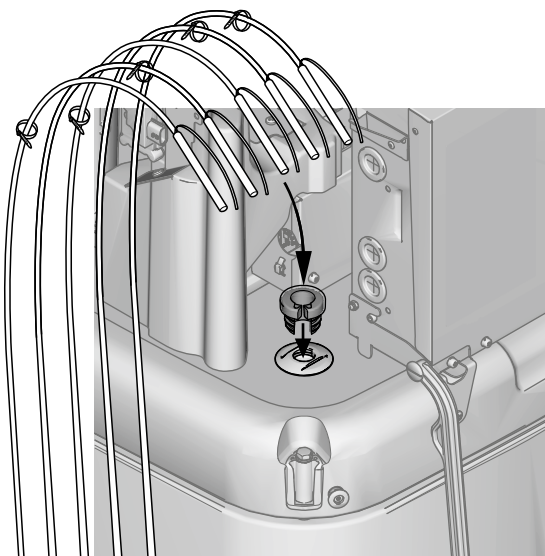
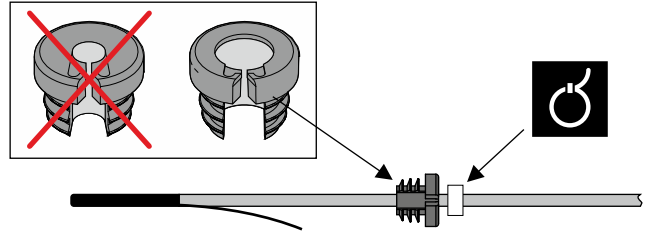
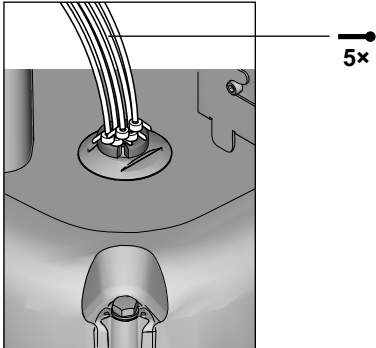


EKHWP* , EKHWC*



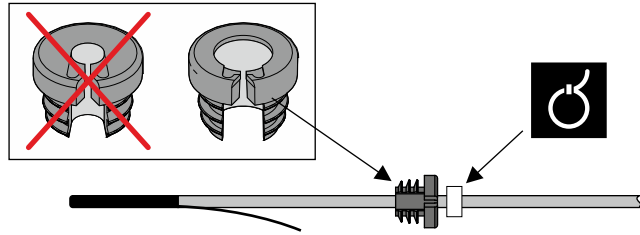
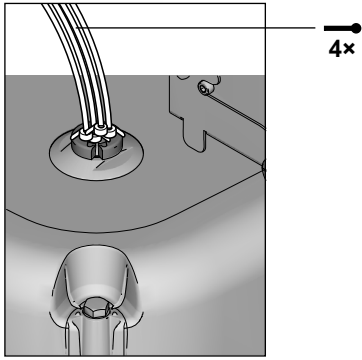
		[mm]	
1.	T _R	1300	black
⇓			
2.	R5T	800	red
⇓			
3.	T _S	700	red

Daikin Altherma 4 ECH₂O

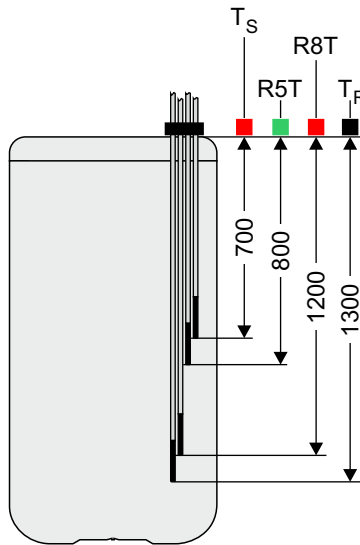
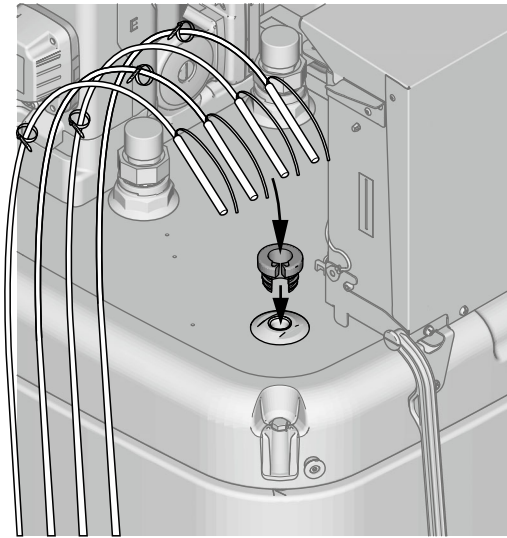


		[mm]	
1.	T _R	1300	black
⇓			
2.	R11T	1250	natural
⇓			
3.	R5T	800	green
⇓			
4.	T _S	700	red
⇓			
5.	R8T	200	red

Daikin Altherma 3 ECH₂O

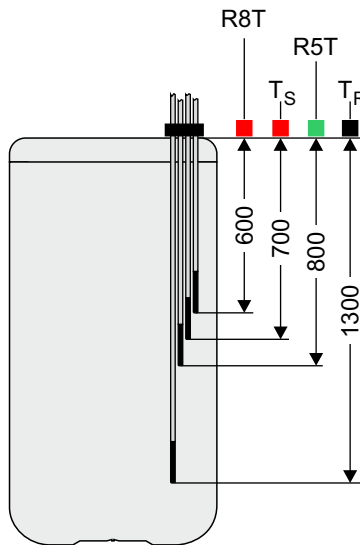


EBSH/X(B)* , ELSH/X(B)* , ETSH/X(B)*



	—	[mm]	
1.	T _R	1300	black
2.	R8T	1200	red
3.	R5T	800	green
4.	T _S	700	red

EHSH/X(B)*



	—	[mm]	
1.	T _R	1300	black
2.	R5T	800	green
3.	T _S	700	red
4.	R8T	600	red



4P826962-1 000000V

DAIKIN EUROPE N.V.

Zandvoordestraat 300, B-8400 Oostende, Belgium

4P826962-1 08/2025